

FIN-NOR SANTIAGO 130 EXPLODE VIEW

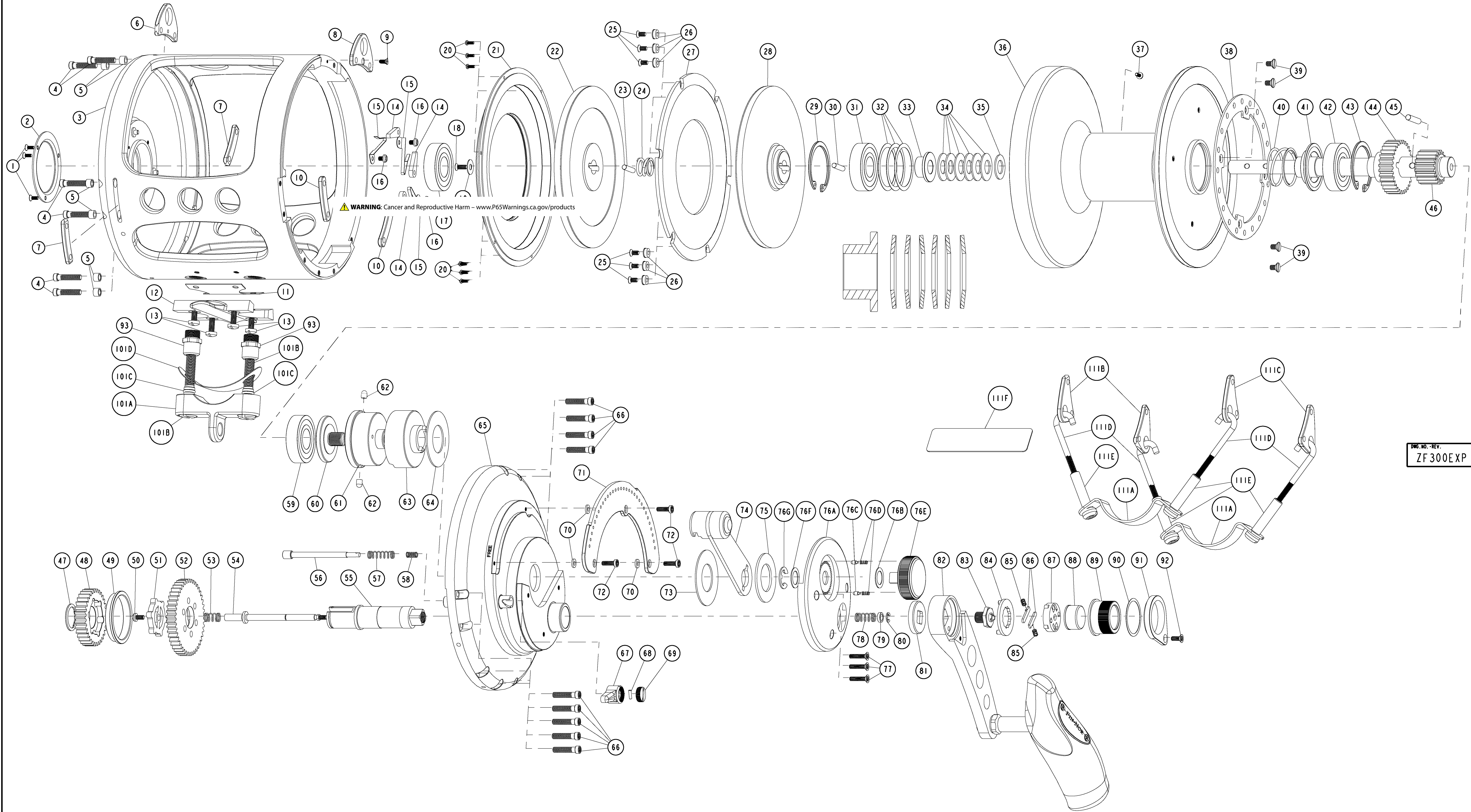


FIG. NO. -REV.
ZF300EXP

WARNING: Cancer and Reproductive Harm – www.P65Warnings.ca.gov/products

SCALE 0.750

DIMENSIONS AND TOLERANCES PER ISO DO NOT SCALE DRAWING	TOLERANCES EXCEPT AS NOTED ANGLES TOLERANCE OTHERS PER PROCESS STANDARD ALL DIM. ARE IN MILLIMETERS	W.C. BRADLEY / ZEBCO HOLDINGS, INC P.O. BOX 270 TULSA, OKLAHOMA	
		PART NAME	
PROPRIETARY NOTICE FOR DOCUMENTS This document and the information hereon is the confidential property of ZEBCO Corporation. Reproduction or use of this document or the information hereon for any purpose without the express written consent of ZEBCO Corporation is strictly prohibited.		NOTATION SYMBOLS Flatness Perpendicularity Straightness Angularity Circularity Total Runout Cylindricity True Position Surface Profile Concentricity Line Profile Circularity Parallelism Diameter	
		DWG. BY: DATE:	MODEL NAME: ZF300
		SCALE: 0.850	SHEET 1 OF 1
		DWG. No. : ZF300EXP	

Fin_Nor Santiago Trolling Reels - SA130

Key No.	Description	Part No.	Q'ty	Key No.	Description	Part No.	Q'ty
1	Cosmetic Cover Screw	HX107-03	3	58	Bait Click Lever Spring	JF071-01	1
2	Cosmetic Cover	LF145-01	1	59	Ball Bearing	ZF017-01	1
3	Frame Assembly	ZF301-01	1	60	Preset Screw	ZF019-01	1
4	Harness Lug Screw	LF053-01	6	61	Cam Follower	ZF153-01	1
5	Harness Lug Screw Collar	LF094-01	6	62	Cam Pin	GF093-01	2
6	Harness Lug	MF151-02	1	63	Cam	ZF028-01	1
7	Rod Clamp Lug Spacer (Palm)	ZF151-02	2	64	Washer	ZF035-01	1
8	Harness Lug	MF151-01	1	65	Gear Side Cover Assembly	ZF324-01	1
9	Harness Lug Screw	HX107-03	1	66	Side Cover Screw	LF053-01	9
10	Rod Clamp Lug Spacer (Gear)	ZF151-01	2	67	Bait Click Lever	VF109-01	1
11	Reel Foot Gasket	GF155-01	1	68	Bait Click Pawl Pin	WF100-01	1
12	Reel Foot	GF106-01	1	69	Bait Click Lever Cap	VF115-01	1
13	Reel Foot Screw	LF125-01	4	70	Quadrant Spacer	MF094-01	3
14	Anti Reverse Pawl	LF063-01	3	71	Quadrant	ZF152-01	1
15	Anti Reverse Pawl Spring	LF052-01	3	72	Quadrant Screw	LF123-01	3
16	Anti Reverse Pawl Screw	LF050-01	3	73	Drag Lever Washer	ZF035-01	1
17	Ball Bearing	ZF017-01	1	74	Drag Lever Assy	ZF355-01	1
18	Spool Shaft Screw	LF107-02	1	75	Washer	GF035-02	1
19	Spool Shaft Washer	NF038-01	1	76	Front Housing Cover Kit include	ZF499-01	1
20	Spool Cover Screw	LF057-01	6		76A - Front Housing Cover	ZF099-01	1
21	Spool Cover	ZF051-01	1		76B - Washer	LF038-01	1
22	Drag Plate Assembly -"B"	ZF348-01	1		76C - Pre Set Knob Click Pawl	PW098-01	2
23	Drag Plate Pin	EF100-01	1		76D - Pre Set Knob Click Spring	YW114-01	2
24	Drag Compression Spring	GF040-01	1		76E - Preset Knob	LF029-01	1
25	Drag Washer Screw	LF107-01	6		76F - Washer	LF038-01	1
26	Drag Post	GF102-01	6		76G - E-Clip	LF092-01	1
27	Drag Washer	ZF045-01	1	77	Front Housing Cover Screw	MF050-01	3
28	Drag Plate Assembly -"A"	NV348-01	1	78	Link Spring	LF070-01	1
29	Retaining Ring	ZF075-01	1	79	Link Spring Holder	MF081-01	1
30	Drag Plate Pin	EF100-01	1	80	E-Clip	QW120-01	1
31	Ball Bearing	ZF017-01	1	81	Handle Collar	GF081-01	1
32	Drag Adjusting Washer	ZF038-01	3	82	Handle Assembly	GF318-01	1
33	Bearing Holder	ZF088-01	1	83	Handle Nut	MF003-01	1
34	Drag Disc Spring	EF046-02	6	84	Handle Nut Retainer	LF034-01	1
35	Drag Adjusting Washer	EF032-03	1	85	Shift Spring	MF070-01	2
36	Spool	ZF021-01	1	86	Shift Holder	LF104-01	2
37	Line Ting Screw	NF125-01	1	87	Shift Spring Holder	MF159-01	1
38	Bait Click Plate	ZF113-01	1	88	Shift Button	MF062-01	1
39	Bait Click Plate Screw	MF107-01	4	89	Shift Knob	LF158-01	1
40	Pressure Release Spring	NF040-01	1	90	Washer	MF035-01	1
41	Pressure Release Spring Holder	ZF041-01	1	91	Shift Knob Holder	LF159-01	1
42	Ball Bearing	ZF017-01	1	92	Shift Knob Holder Screw	MF076-01	1
43	Retaining Ring	ZF075-01	1	93	Rod Clamp Nut	LF003-01	1
44	Low Speed Pinion Gear	ZF011-01	1				
45	Pinion Gear Pin	NF093-01	1	101	Rod Clamp Kit	GF4154	1
46	Spool Shaft	ZF015-01	1		101A - Rod Clamp	GF154-01	1
47	Retaining Ring	FF075-01	1		101B - Rod Clamp Bolt	MF125-02	2
48	Low Speed Drive Gear	NV012-01	1		101C - O-Ring	LF101-01	2
49	Gear Spacer	ZF094-01	1		101D - Rod Clamp Pad	NF155-01	1
50	Link Retainer Screw	MF053-01	1				
51	Link	GF036-01	1	111	Turn Buckle Kit	ZF4154	1
52	High Speed Drive Gear	ZF012-01	1		111A - Turn Buckle Clamp	ZF154-01	1
53	Link Spring	LF070-01	1		111B - Rod Clamp Lug (Palm)	GF151-02	2
54	Link Shaft	GF146-01	1		111C - Rod Clamp Lug (Gear)	GF151-01	2
55	Crank Shaft	GF008-01	1		111D - Trun Buckle Hook	ZF122-01	4
56	Bait Click Pawl	ZF114-01	1		111E - Trun Buckle Nut	ZF003-01	4
57	Bait Click Spring	LF110-03	1		111F - Turn Buckle Clamp Pad	ZF155-01	2